

# MIDTOWN

## 4978BN

### LARGE TWO TIER

Midtown's clean, transitional style is both refined and bold. Strong design elements and rich finish options reflect its robust construction, while elegant glass shades add sophistication.

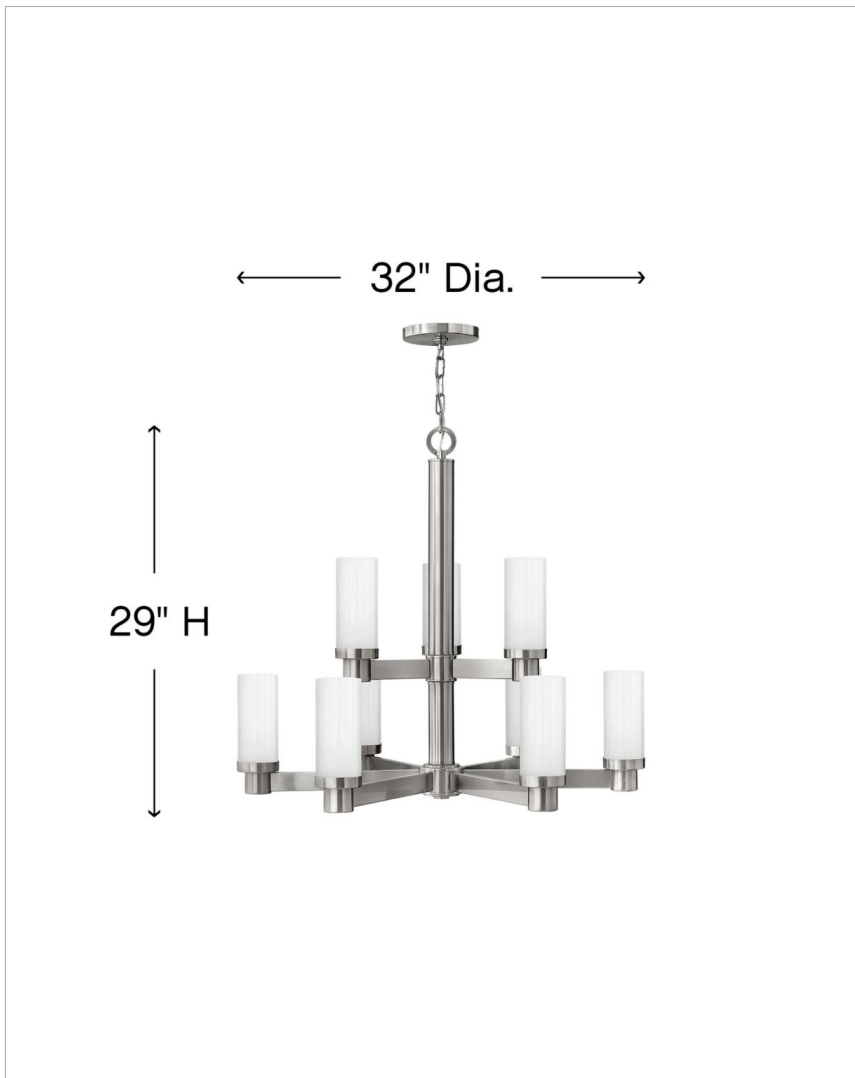
DETAILS	
FINISH:	Brushed Nickel
MATERIAL:	Metal
GLASS:	Multi-Faceted Etched

DIMENSIONS	
WIDTH:	32"
HEIGHT:	29"
WEIGHT:	19 lbs.

LIGHT SOURCE	
LIGHT SOURCE:	Socket
WATTAGE:	9-100w Med.
VOLTAGE:	120v

MOUNTING	
CANOPY:	6" Dia.
LEAD WIRE:	144"

SHIPPING	
CARTON LENGTH:	34.5"
CARTON WIDTH:	31"
CARTON HEIGHT:	16.5"
CARTON WEIGHT:	32 lbs.



#### PRODUCT DETAILS:

- This chain or cable hung fixture may be installed on any sloped ceiling.
- Suitable for use in dry (indoor) locations as defined by NEC and CEC. Meets United States UL Underwriters Laboratories & CSA Canadian Standards Association Product Safety Standards
- Merging the best of traditional and modern elements, with a sophisticated and streamlined silhouette perfect for any space
- Classic matte brushed nickel finish