

SATURN

1901SS

LARGE POST TOP OR PIER MOUNT LANTERN

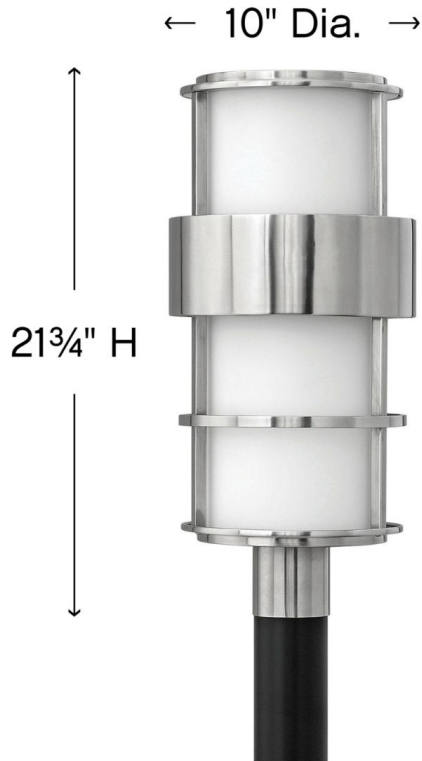
Saturn is a stunning, modern design offering robust construction and intersecting lines that create a striking contrast against the clear seeded glass.

DETAILS	
FINISH:	Stainless Steel
MATERIAL:	Stainless Steel
GLASS:	Etched Opal

DIMENSIONS	
WIDTH:	10"
HEIGHT:	21.8"
WEIGHT:	10 lbs.

LIGHT SOURCE	
LIGHT SOURCE:	Socket
WATTAGE:	1-100w Med.
VOLTAGE:	120v

SHIPPING	
CARTON LENGTH:	13.5"
CARTON WIDTH:	13.5"
CARTON HEIGHT:	25"
CARTON WEIGHT:	13 lbs.



PRODUCT DETAILS:

- Suitable for use in wet (interior direct splash and outdoor direct rain or sprinkler) locations as defined by NEC and CEC. Meets United States UL Underwriters Laboratories & CSA Canadian Standards Association Product Safety Standards
- 2 year finish warranty
- Bold lines and a clean, minimalist style complement contemporary architecture
- Superior strength and performance