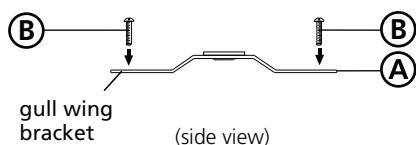


Family: Atlantis | Item No. 1655EST BZ/TT



▼ start here

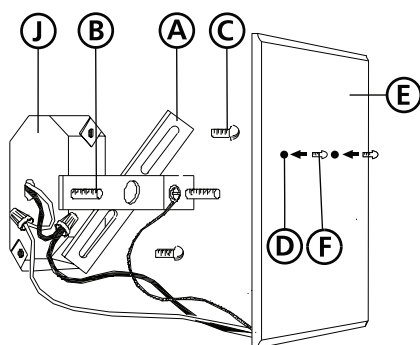
Drawing 1 - Strap Detail



1

1. Find a clear area in which you can work.
2. Unpack fixture and glass from carton.
3. Carefully review instructions prior to assembly.

Drawing 2 - Fixture Mounting

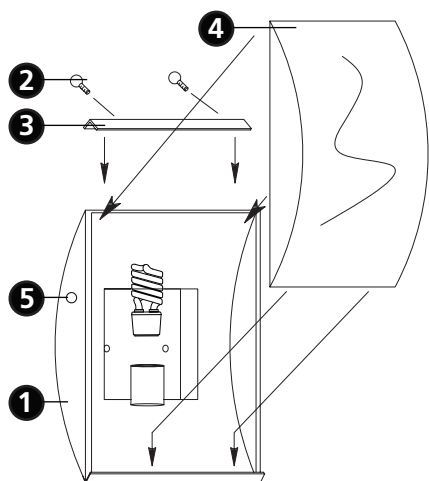


2

***** The construction of this fixture will be accomplished by first mounting the mounting strap to the junction box, making all necessary electrical connections, mounting the fixture to the wall, and then installing the glass.**

SAFETY WARNING: READ WIRING AND GROUNDING INSTRUCTIONS (I.S. 18) AND ANY ADDITIONAL DIRECTIONS. TURN POWER SUPPLY OFF DURING INSTALLATION. IF NEW WIRING IS REQUIRED, CONSULT A QUALIFIED ELECTRICIAN OR LOCAL AUTHORITIES FOR CODE REQUIREMENTS.

Drawing 3 - Glass Installation



3

Make electrical connections from supply wire to fixture lead wires. Refer to instruction sheet (I.S. 18) and follow all instructions to make all necessary wiring connections. Then refer back to this sheet to continue installation of this fixture.

4

1. Slip the two mounting screws (B) through the two mounting holes (D) in the backplate (E) - see **Drawing 2**.
2. While holding fixture in place, thread the two ball knobs (F) onto mounting screw (B) and tighten.

5

1. Prior to installing glass, fixture can now be lamped accordingly with energy efficient ballasted bulb.
2. To install glass, remove the two ball knob studs (2) that are located on the back of the main body assembly (1) and remove glass support rail (3) from fixture - see **Drawing 3**.
3. Take glass (4) and insert one end under the support rail that is attached to fixture, and hold in place.
4. Slip support bar (3) over end of fixture and thread ball knob screws (2) to secure glass (4).
5. Dusk till Dawn photocell (5) integrated into fixture.

Note: Maximum wattage for 1655EST fixture is 26 watts per bulb.

2.7.08

Warranty: Hinkley Lighting's Energy Star product carries a warranty which covers repair or replacement of defective parts that include fixture housing, optics, trim, and electronics for two years from date of purchase.

